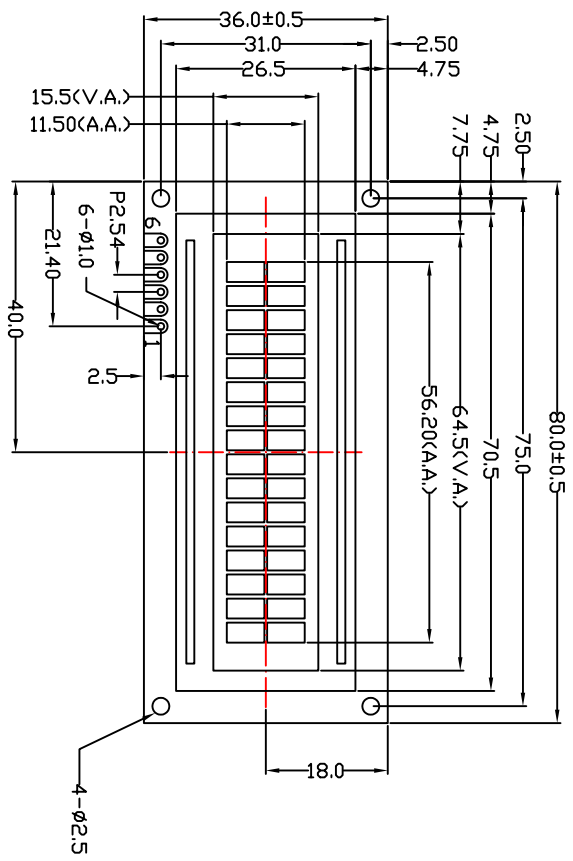
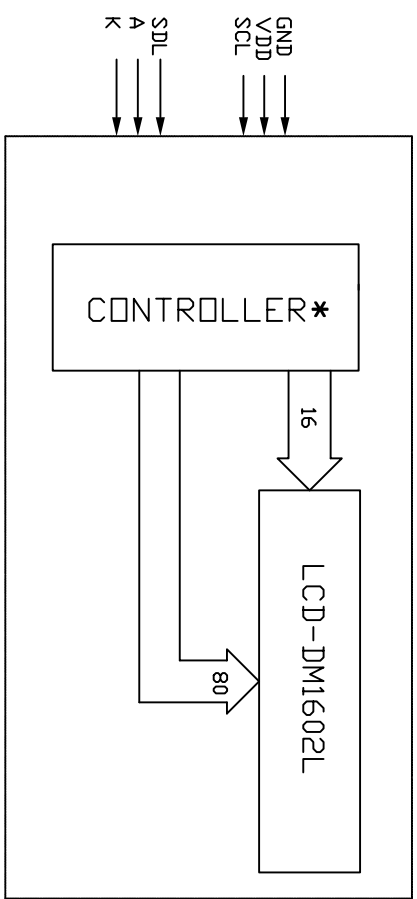
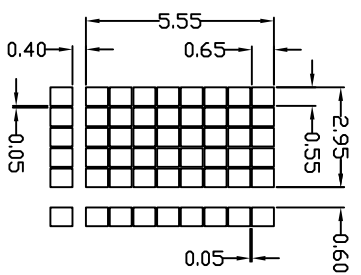
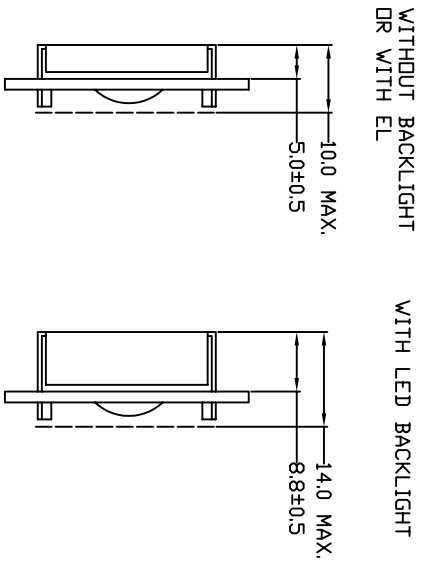


ISSUE	AMENDMENT	DATE



6 PIN CONNECTION	1	2	3	4	5	6
	GND	YDD	SCL	SDL	A	K



* PCF2119 OR EQUIVALENT

ORIENT DISPLAY CO. LTD.			
TITLE: SPECIFICATION	NAME: Lu MY	SIGN:	DATE: 2004/06/21
PROJECT NO: DM1602L-XX	CHECKED: Lu MY		APPROVED: 2004/06/21
ITEM NO. DM1602L-XX	THIRD ANGLE PROJECTION	☉	
DESCRIPTION: DM1602L	TOLERANCE UNLESS OTHERWISE SPECIFIED: XX±0.3 XX±0.1	SCALE: NO SCALE	
FILE NO.: DM1602L-XX	DIMENSIONS IN: MM	MATERIAL:	
REV: 1	FINISH:	THICKNESS:	
SHEET: 1 OF 1			