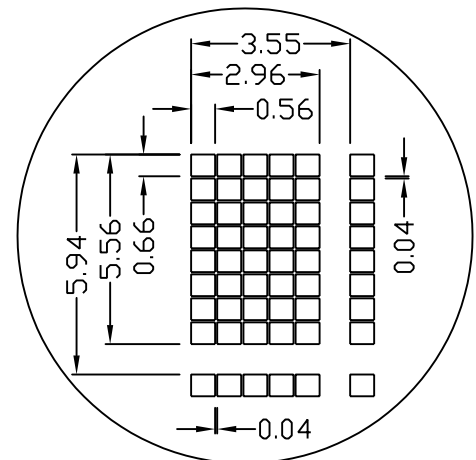
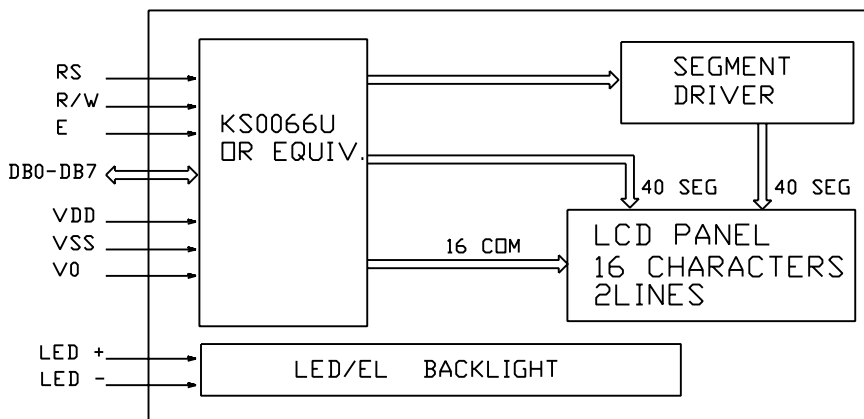


\* FOR LED BACKLIGHT  
 T1=14.0MAX T2=9.0±0.3  
 \* FOR EL OR NO BACKLIGHT  
 T1=10.0MAX T2=5.0±0.3



PINS ASSIGNMENT		
NO.	SYMBOL	DESCRIPTION
1--8	DB7--DB0	DATA BUS 1-DB7...8-DB0
9	E	ENABLE SIGNAL
10	R/W	READ/WRITE CONTROL
11	RS	DATA/INSTRUCTION SELECT
12	V0	OPERATING VOLTAGE FOR LCD
13	VSS	POWER SUPPLY
14	VDD	POWER SUPPLY
	A	POWER SUPPLY FOR LED BACKLIGHT (+)
	K	POWER SUPPLY FOR LED BACKLIGHT (-)

ABSOLUTE MAXIMUM RATING				
ITEM	SYMBOL	MIN	MAX	UNIT
POWER SUPPLY(LOGIC)	VDD-VSS	-0.3	7.0	V
POWER SUPPLY(LCD DRV.)	VDD-V0	-0.3	13.5	V
INPUT VOLTAGE	Vi	-0.3	VDD	V

MECHANICAL SPECIFICATIONS		
ITEM	SPECIFICATION	UNIT
OVERALL SIZE	85.0W x 30.0H x 14.0T(10.0T)	MM
VIEWING AREA	64.5W x 16.4H	MM
CHARACTERS	16 CHARACTERS x 2 LINES	
CHARACTER SIZE	2.96W x 5.56H	MM
CHARACTER PITCH	3.55W x 5.94H	MM

ELECTRICAL CHARACTERISTICS (VDD=5.0±0.25V, 25°C)					
ITEM	SYMBOL	MIN	TYP	MAX	UNIT
VOLTAGE FOR LOGIC	VDD-VSS	4.75	5.0	5.25	V
SUPPLY CURRENT	IDD	-	1.3	2.2	mA
VOLTAGE FOR LCD	VDD-V0	-	4.7	-	V
INPUT VOLTAGE	H ViH	2.2	-	VDD	V
	L ViL	-0.3	-	0.6	V
OUTPUT VOLTAGE	H VoH	2.4	-	-	V
	L VoL	-	-	0.4	V

OPTIONS
1. LCD TYPE: Y/G STN; GRAY STN; TN
2. BACKLIGHT: WITHOUT BACKLIGHT; LED; EL
3. COLOR OF BACKLIGHT: Y/G; BLUE; WHITE
4. TEMPERATURE RANGE: NORMAL(0--50C) EXTENDED(-20--70C)
5. POWER SUPPLY: 5.0V; 3.0V
6. VIEWING ANGLE: 6H; 12H
7. CHARACTER TABLE: JAPANESE; EUROPEAN; CYRILLIC