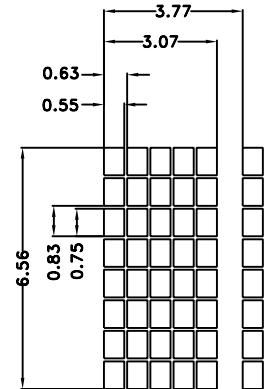
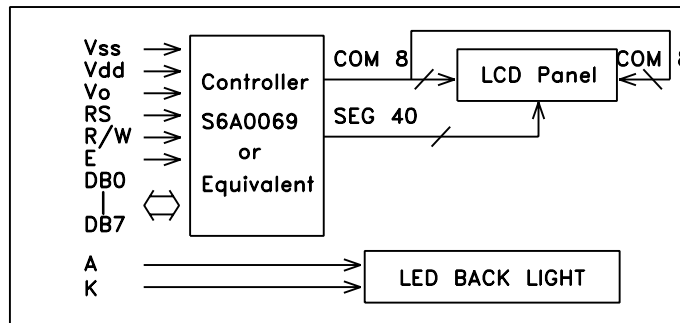
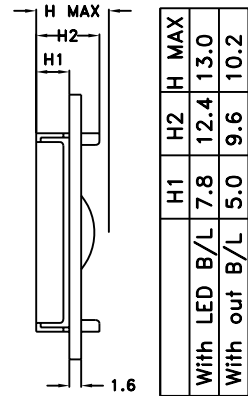
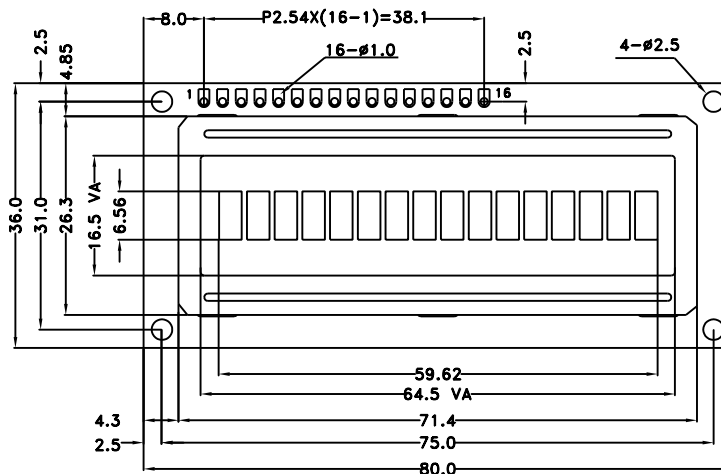


# OD-DM1601A1

16 CHAR.  
1 LINE

## OPTIONS

- \*LCD PANEL  
TN or STN
- \*View Angle  
6H or 12H
- \*Character  
Eng/Jap  
Eng/Rus  
Eng/Eur



All dimensions in mm, Tolerance  $\pm 0.3$ mm unless otherwise specified.

### MECHANICAL SPECIFICATIONS

ITEM	SPECIFICATION	UNIT
Overall Size	80.0Wx36.0Hx10.2T	mm
Viewing Area	64.5Wx16.5H	mm
Character Number	16Wx1H	
Character Size	3.07Wx6.56H	mm
Character Pitch	3.77Wx6.56H	mm
Dot Size	0.55Wx0.75H	mm

### PIN ASSIGNMENT

PIN	SYMBOL	FUNCTION
1	Vss	Power Supply (GND)
2	Vdd	Power Supply (+5V)
3	Vo	Contrast Adjust
4	RS	Instruction/Data Register Select
5	R/W	Data Read/Write
6	E	Enable Signal
7-14	DB0-DB7	Data Bus Line
15	A	Power Supply for LED B/L(+)
16	K	Power Supply for LED B/L(-)

### ABSOLUTE MAXIMUM RATINGS

ITEM	SYMBOL	MIN.	MAX.	UNIT
Power Supply (Logic)	Vdd	-0.3	7.0	V
Power Supply (LCD)	Vo	Vdd-15.0	Vdd+0.3	V
Input Voltage	Vi	-0.3	Vdd	V
Operating Temperature	Topr	0	50	°C
Storage Temperature	Tstg	-20	70	°C

### Electrical Characteristics(Ta=25°C,Vdd=5+/-0.25V)

ITEM	SYMBOL	MIN.	TYP.	MAX.	UNIT
Power Supply(Logic)	Vdd	4.5	5.0	5.5	V
Supply Current	Idd	2.0	/	/	mA
LCD Driving Voltage	Vdd-Vo	4.3	4.5	4.7	V
Input Voltage "H"	Vih	2.2	/	Vdd	V
Input Voltage "L"	Vil	/	/	0.6	V
Output Voltage "H"	Voh	2.4	/	/	V
Output Voltage "L"	Vol	/	/	0.4	V

### LED BACKLIGHT SPECIFICATIONS

ITEM	TYP.	ITEM	TYP.
Forward Voltage	4.2V	Power Dissipation	470mW
Forward Current	110mA	Emission Wavelength	569nm