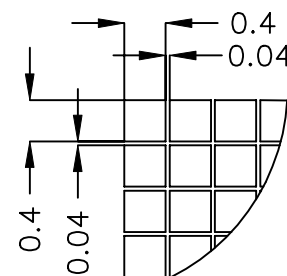
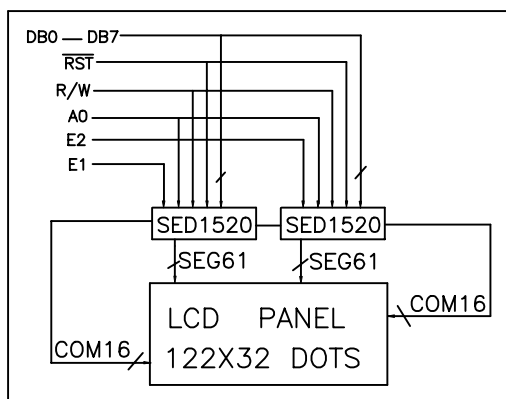
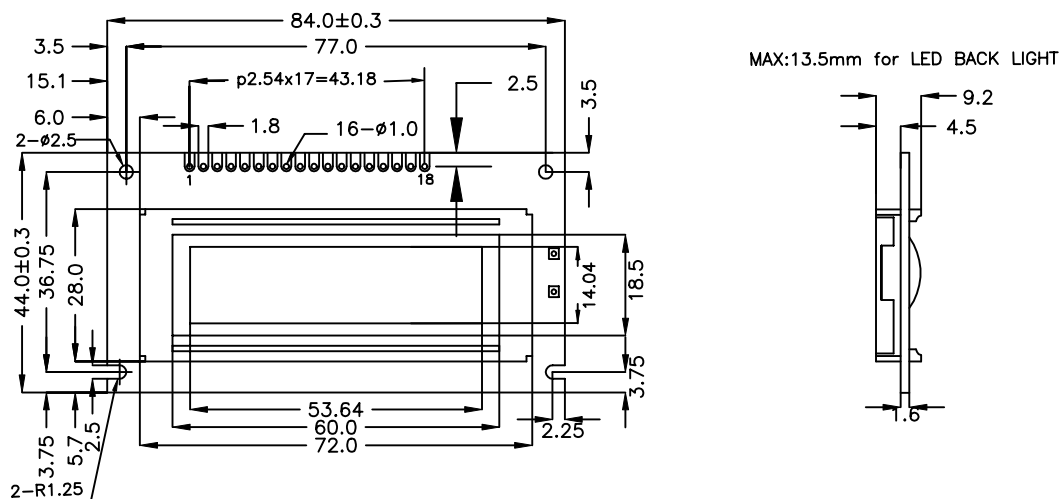


**122 X 32
DOTS**

OPTIONS

- * LCD PANEL
Yellow/Green
or Grey STN
- * View Angle
12H or 6H



All dimensions in mm. Tolerance ± 0.3 mm unless otherwise specified.

MECHANICAL SPECIFICATIONS

ITEM	SPECIFICATION	UNIT
Overall Size	84.0Wx44.0Hx9.2T(BL13.5T)	mm
Viewing Area	60.0Wx18.5H	mm
Dot Number	122Wx32H	dots
Dot Size	0.4Wx0.4H	mm
Dot Pitch	0.44Wx0.44H	mm

PIN ASSIGNMENT

PIN	SYMBOL	FUNCTION
1	Vss	Power Supply(GND)
2	Vdd	Power Supply(+5V)
3	Vo	Contrast Adjust
4	A0	Instruction/Data Selection
5	E1	Enable Signal for Chip1
6	E2	Enable Signal for Chip2
7	R/W	Read/Write Control
8-15	DB0-DB7	Data Bus Line
16	RST	Reset and Select Interface Type
17-18	A, K	Power Supply for LED BL

ABSOLUTE MAXIMUM RATINGS

ITEM	SYMBOL	MIN.	MAX.	UNIT
Power Supply (Logic)	Vdd	-0.3	7.0	V
Power Supply (LCD)	Vo	Vdd-15.0	Vdd+0.3	v
Input Voltage	Vi	-0.3	Vdd+0.3	V
Operating Temperature	Topr	0	50	°C
Storage Temperature	Tstg	-20	70	°C

ELECTRICAL CHARACTERISTICS(Ta=25°C, Vdd=5V±0.25V)

ITEM	SYMBOL	MIN.	MIN.	MAX.	UNIT
Power Supply(Logic)	Vdd	4.5	5.0	5.5	V
Supply Current	Idd	2.0	—	—	mA
LCD Driving Voltage	Vdd-Vo	—	—	13.0	V
Input Voltage "H"	Vih	2.2	—	Vdd	v
Input Voltage "L"	Vil	—	—	0.6	v
Output Voltage "H"	Voh	2.4	—	—	v
Output Voltage "L"	Vol	—	—	0.4	v

LED BACKLIGHT SPECIFICATIONS

ITEM	TYP.	ITEM	TYP.
Forward Voltage	4.2V	Power Dissipation	800mW
Forward Current	190mA	Emission Wavelength	570nm