

4

3

2

1

E

E

D

D

C

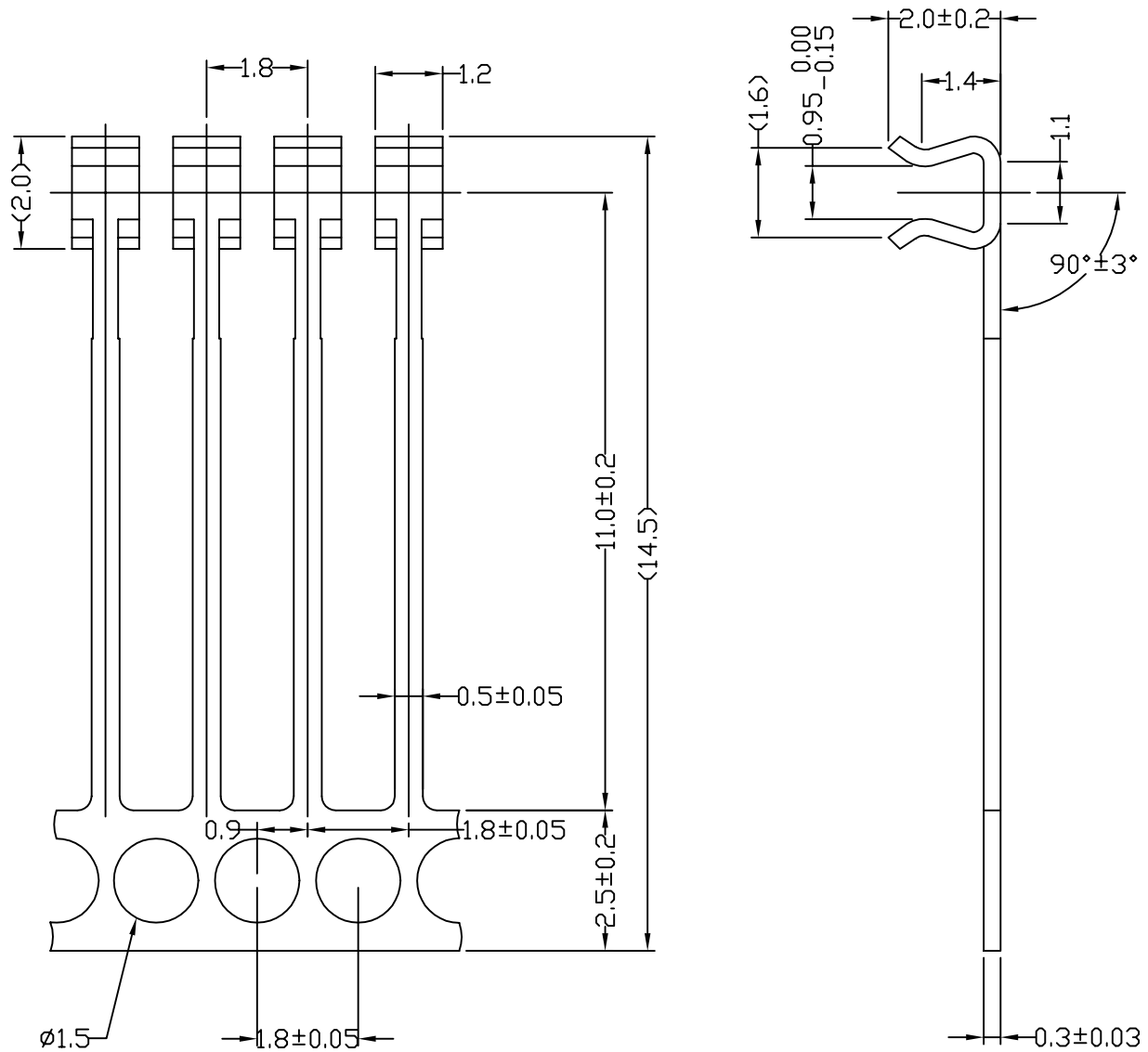
C

B

B

A

A



REV

ZONE - CHANGES

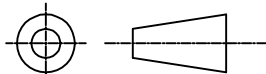
ER*

99/11/5

DATE

NEXT ISSUED :

- UNLESS OTHERWISE STATED:**
 1/ WALL THICKNESS;
 2/ ALL DIM. IN MM
 3/ TOLERANCE:
 .X.X+/-
 XX.X+/-
 XXX.X+/-
 4/ TEXTURE;
 5/ COATING;
 6/ DRAFT ANGLE;
 7/ UNSPECIFIED CORNER;



AV DISPLAY (North America) Ltd

FINISH

TITLE Pin-861-1.0

DRAWN

WU

MODEL

DWG NO.

CHECK

SCALE: 8:1

REV. A PAGE 1 OF 1

APPROVAL

MAT'L & COLOR

4

3

2

1