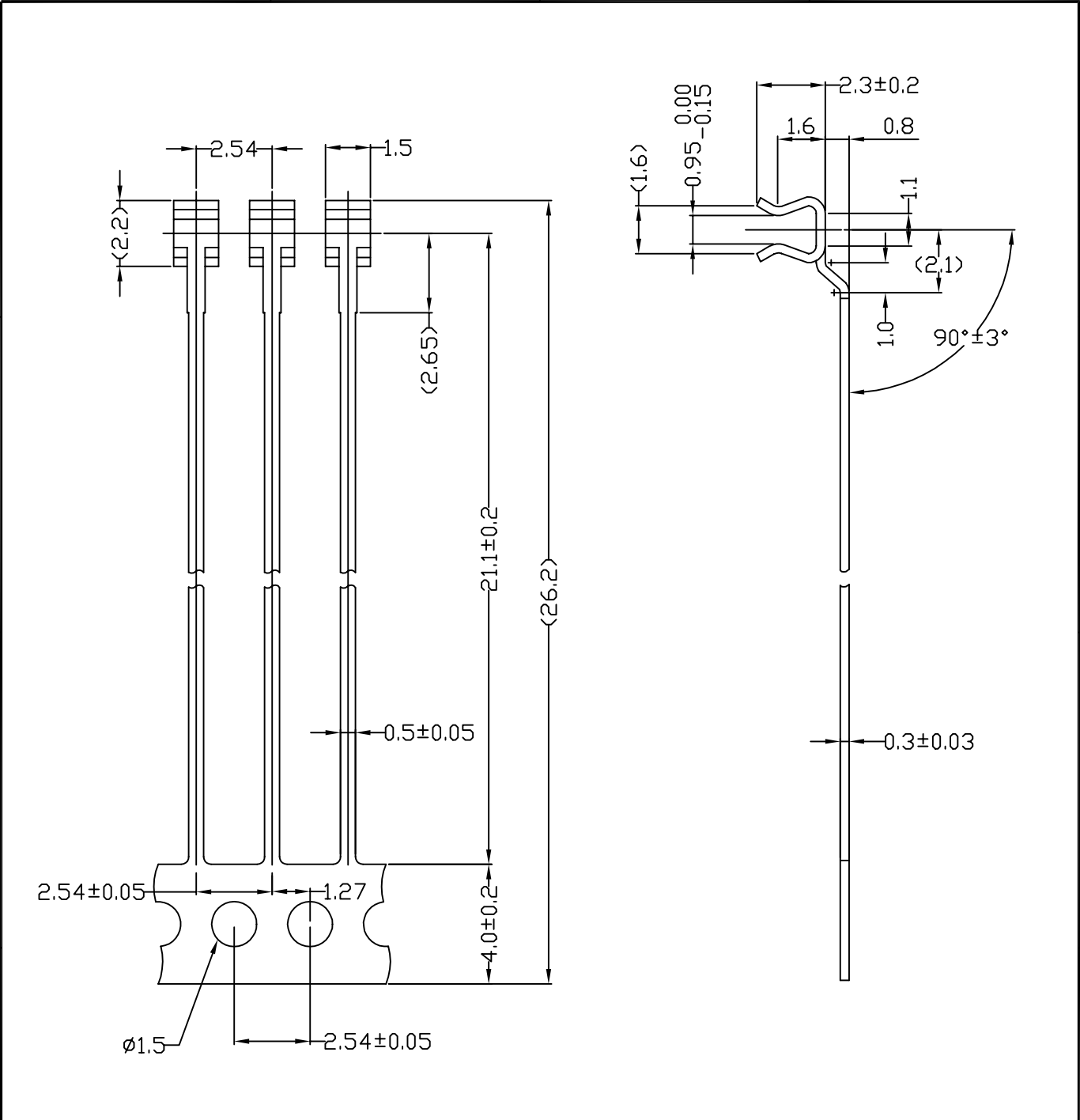


4 | 3 | 2 | 1

E
D
C
B
A

E
D
C
B
A



| ALLOWANCE | F | G | H | J | K | L | M | N |
|-------------|-------|------|------|------|------|------|------|------|
| UNDER 8 | ±0.05 | ±0.1 | ±0.1 | ±0.2 | ±0.2 | ±0.4 | ±0.4 | ±1.0 |
| 8 TO 25 | 0.08 | 0.15 | 0.15 | 0.3 | 0.3 | 0.6 | 0.6 | 1.5 |
| 25 TO 80 | 0.12 | 0.2 | 0.25 | 0.4 | 0.5 | 0.8 | 1.0 | 2.0 |
| 80 TO 250 | 0.25 | 0.3 | 0.4 | 0.6 | 0.8 | 1.2 | 1.5 | 3.0 |
| 250 TO 800 | 0.5 | 0.6 | 0.8 | 1.0 | 1.5 | 2.0 | 3.0 | 6.0 |
| 800 TO 2500 | 1.0 | 1.0 | 1.5 | 1.7 | 3.0 | 4.0 | 6.0 | 12.0 |
| OVER 2500 | 2.0 | 2.0 | 3.0 | 3.0 | 6.0 | 8.0 | 12.0 | 24.0 |

| | | | |
|-----|----------------|-----|------|
| REV | ZONE - CHANGES | ER* | DATE |
|-----|----------------|-----|------|

| | | | | | | | |
|------------------------|--|----------|---------------|-------------------|--------------------|--|--|
| NEXT ISSUED .. | UNLESS OTHERWISE STATED: | | | | | | |
| | 1/ WALL THICKNESS: | | | | | | |
| | 2/ ALL DIM. IN MM | | FINISH | TITLE Pin-301-1.0 | | | |
| | 3/ TOLERANCE: X.X+/- XX.X+/- XXX.X+/- | | DRAWN WU | MODEL | DWG NO. | | |
| | 4/ TEXTURE: | | CHECK | SCALE: 5:1 | REV. A PAGE 1 OF 1 | | |
| 5/ COATING: | | APPROVAL | MAT'L & COLOR | | | | |
| 6/ DRAFT ANGLE: | | | | | | | |
| 7/ UNSPECIFIED CORNER: | | | | | | | |

4 | 3 | 2 | 1