

4

3

2

1

E

E

D

D

C

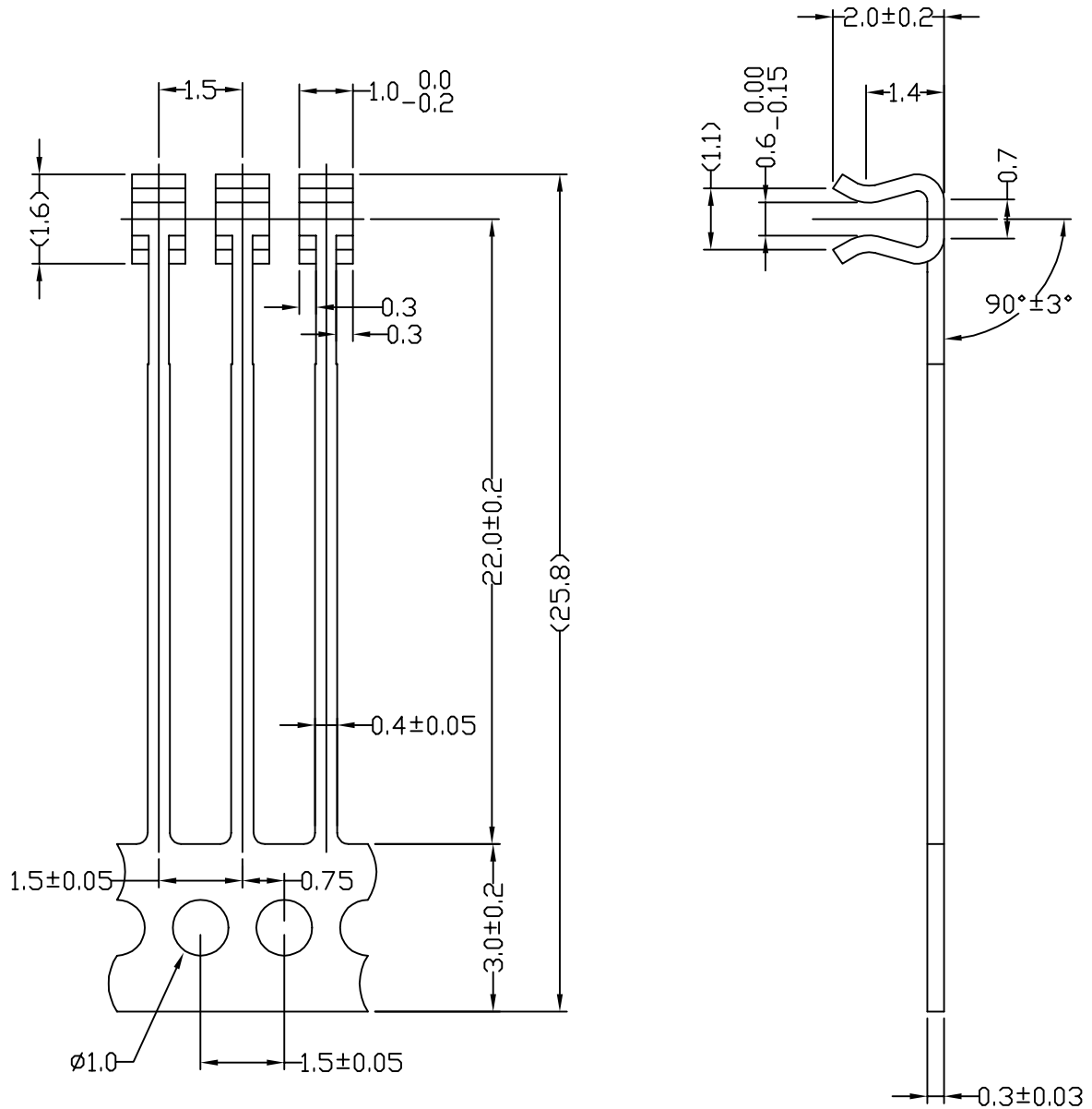
C

B

B

A

A

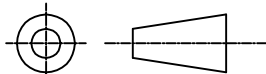


| ALLOWANCE | F | G | H | J | K | L | M | N |
|-------------|-------|------|------|------|------|------|------|------|
| UNDER 8 | ±0.05 | ±0.1 | ±0.1 | ±0.2 | ±0.2 | ±0.4 | ±0.4 | ±1.0 |
| 8 TO 25 | 0.08 | 0.15 | 0.15 | 0.3 | 0.3 | 0.6 | 0.6 | 1.5 |
| 25 TO 80 | 0.12 | 0.2 | 0.25 | 0.4 | 0.5 | 0.8 | 1.0 | 2.0 |
| 80 TO 250 | 0.25 | 0.3 | 0.4 | 0.6 | 0.8 | 1.2 | 1.5 | 3.0 |
| 250 TO 800 | 0.5 | 0.6 | 0.8 | 1.0 | 1.5 | 2.0 | 3.0 | 6.0 |
| 800 TO 2500 | 1.0 | 1.0 | 1.5 | 1.7 | 3.0 | 4.0 | 6.0 | 12.0 |
| OVER 2500 | 2.0 | 2.0 | 3.0 | 3.0 | 6.0 | 8.0 | 12.0 | 24.0 |

| | | | |
|-----|----------------|-----|----------|
| REV | ZONE - CHANGES | ER* | DATE |
| | | | 99/10/29 |

UNLESS OTHERWISE STATED:

- 1/ WALL THICKNESS:
- 2/ ALL DIM. IN MM
- 3/ TOLERANCE:
X.X+/-
XX.X+/-
XXX.X+/-
- 4/ TEXTURE:
- 5/ COATING:
- 6/ DRAFT ANGLE:
- 7/ UNSPECIFIED CORNER:



 **AV DISPLAY (North America) Ltd**

FINISH

TITLE Pin-151-0.7

DRAWN

WU

MODEL

DWG NO.

CHECK

SCALE: 8:1

REV. A PAGE 1 OF 1

APPROVAL

MAT'L & COLOR

4

3

2

1