



145 Royal Crest Court Unit 42 Markham, ON, Canada L3R 9Z4
Tel: 905-477-1166 Fax: 905-477-1782 <http://www.orientdisplay.com>

SPECIFICATION FOR LCM MODULE

MODULE NO.: AMG12232GR-B-Y6WFDY
DOC.REVISION 02

Customer Approval:

--

	SIGNATURE	DATE
PREPARED BY (RD ENGINEER)		Oct-18-2006
PREPARED BY (QA ENGINEER)		
CHECKED BY		
APPROVED BY		

DOCUMENT REVISION HISTORY

Version	DATE	DESCRIPTION	CHANGED BY
00	Sep-15-2005	First issue	
01	Oct-13-2006	Change compatible IC	
02	Oct-13-2006	RoHS compliant	

CONTENTS

1. Functions & Features	1
2. Mechanical specifications	1
3. Block diagram	1
4. Dimensional Outline	2
5. Pin description	3
6. Maximum absolute limit	3
7. Electrical characteristics	4
8. Timing Characteristics	5
9. Control and display command	6
10. Backlight characteristics	7
11. Electrol-Optical characteristics	7
12. Quality Specifications	8~16

1. FUNCTIONS & FEATURES

- 1.1. Format : 122x32dots
- 1.2. LCD mode : STN / Positive transfective mode / Yellow-green
- 1.3. Viewing direction : 6 o'clock
- 1.4. Driving scheme : 1/32 Duty cycle, 1/5 Bias
- 1.5. Power supply voltage(V_{DD}) : 5.0V
- 1.6. LCD driving voltage : 4.5V (reference voltage)
- 1.7. Operation temp : -20~70°C
- 1.8. Storage temp : -30~80°C
- 1.9. Backlight color : Yellow-green
- 1.10. RoHS compliant.

2. MECHANICAL SPECIFICATIONS

- 2.1. Module size : 80.0mm(L)*36.0mm(W)*13.5MAX mm(H)
- 2.2. Viewing area : 60.5mm(L)*18.5mm(W)
- 2.3. Dot pitch : 0.44mm(L)*0.49mm(W)
- 2.4. Dot size : 0.40mm(L)*0.45mm(W)
- 2.5. Weight : Approx.

3. BLOCK DIAGRAM

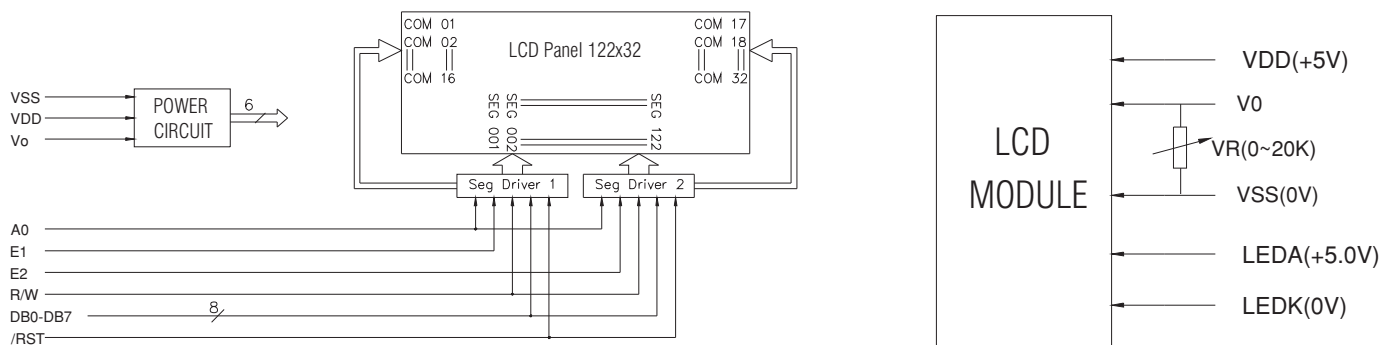


Figure 2. Block diagram

4. DIMENSIONAL OUTLINE

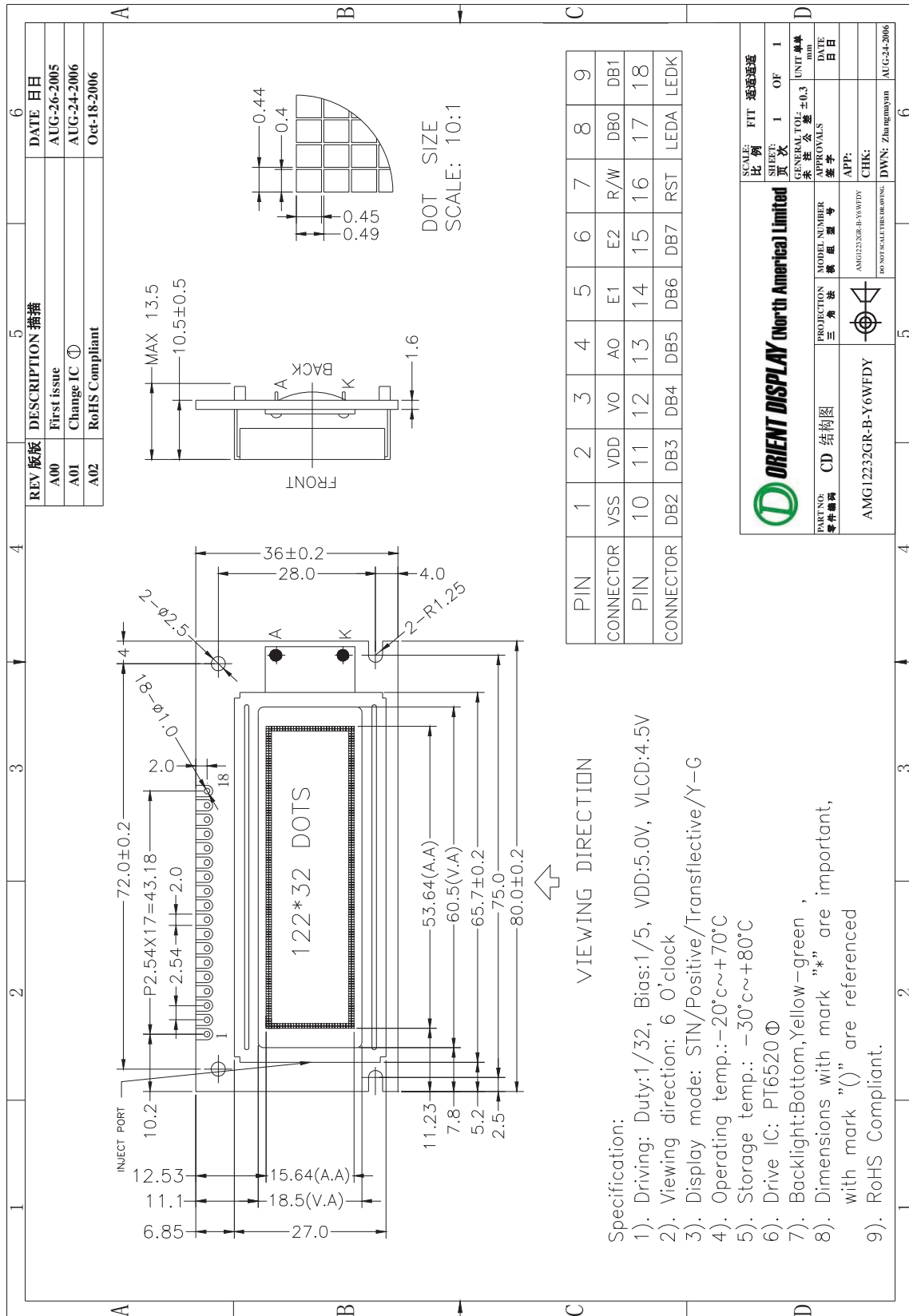


Figure 1. Dimension outline

5. PIN DESCRIPTION

No.	Symbol	Function
1	VSS	GND
2	VDD	Power supply
3	VO	Supply voltage for LCD drive
4	A0	Register selection. (H: Data register L: Instruction register)
5	E1	Enable signal for IC1(left half of the panel)
6	E2	Enable signal for IC2(right half of the panel)
7	R/W	Read /write selection. (H: Read L: write)
8~15	DB0~DB7	Data bus lines
16	/RST	Reset signal(The rise of the signal is for active and keep RET='h')
17	LEDA	Power supply for backlight(+)
18	LEDK	Power supply for backlight(-)

6. MAXIMUM ABSOLUTE LIMIT

(For IC)

Parameter	Symbol	Condition	Unit
Supply voltage (1)	VSS	-8.0 ~ +0.3	V
Supply voltage (2)	V5	-16.5 ~ +0.3	V
Supply voltage (3)	V1, V4, V2, V3	V5 ~ +0.3	V
Input voltage	VIN	VSS - 0.3 ~ +0.3	V
Output voltage	VO	VSS - 0.3 ~ +0.3	V
Allowable loss	PD	250	mW
Operating temperature	T _{opr}	-30 ~ +85	°C
Storage temperature	T _{stg}	-65 ~ +150	°C
Soldering temperature/time	T _{solder}	260 / 10 (at lead)	°C / Sec

Notes:

- All voltages are based on VDD = 0V.
- The following condition must always hold true with voltages V1, V2, V3, V4 and V5:
 $VDD \geq V1 \geq V2 \geq V3 \geq V4 \geq V5$
- The LSI may be permanently damaged if used with any value in excess of the absolute maximum ratings. During normal operation, the LSI should preferably be used within the specified electrical characteristics. Failure to meet them can cause the LSI to malfunction or lose its reliability.
- Generally, flat package LSIs may have moisture resistance lowered when solder dipped. In mounting LSIs on a board, it is recommended to use a method which is least unlikely to give thermal stress on the package resin.

7. ELECTRICAL CHARACTERISTICS

Parameter		Symbol	Condition	Min	Typ	Max	Unit	Applicable Pin	
Operating voltage (1)	Recommended	VSS	*1	-5.5	-5.0	-4.5	V	VSS	
	Allowable			-7.0	—	-2.4			
Operating voltage (2)	Recommended	V5		-13.0	—	-3.5	V	V5	
	Allowable			-13.0	—	—		*10	
	Allowable	V1, V2		$0.6 \times V5$	—	VDD	V	V1, V2	
	Allowable	V3, V4		V5	—	$0.4 \times V5$	V	V3, V4	
High-level input voltage		VIHT		$V_{SS} + 2.0$	—	VDD	V	*2	
		VIHC		$0.2 \times V_{SS}$	—	VDD		*3	
Low-level input voltage		VILT		VSS	—	$V_{SS} + 0.8$	V	*2	
		VILC		VSS	—	$0.8 \times V_{SS}$		*3	
High-level output voltage		VOHT	IOH = -3.0 mA	$V_{SS} + 2.4$	—	—	V	*4	
		VOHC1	IOH = -2.0 mA	$V_{SS} + 2.4$	—	—		*5	
		VOHC2	IOH = -120 μ A	$0.2 \times V_{SS}$	—	—		OSC2	
Low-level output voltage		VOLT	IOL = 3.0 mA	—	—	$V_{SS} + 0.4$	V	*4	
		VOLC1	IOL = 2.0 mA	—	—	$V_{SS} + 0.4$		*5	
		VOLC2	IOL = 120 μ A	—	—	$0.8 \times V_{SS}$		OSC2	
Input leakage current		II		-1.0	—	1.0	μ A	*6	
Output leakage current		ILO		-3.0	—	3.0	μ A	*7	
LCD driver ON resistor		RON	Ta = 25°C	V5 = -5.0V	—	5.0	7.5	k Ω	SEG0-79 *11 COM0-15
				V5 = -3.5V	—	10.0	50.0		
Static current dissipation		IDDQ	$\overline{CS} = CL = VDD$	—	0.05	1.0	μ A	VDD	
Dynamic current dissipation	IDD (1)	During display V5 = -5.0V	fCL = 2 kHz	—	2.0	5.0	μ A	VDD *12	
			Rr = 1 M Ω	—	9.5	15.0		*13	
			fCL = 18 kHz	—	5.0	10.0		*14	
	IDD (2)	During access t _{cy} c = 200 kHz	—	300	500	μ A	*8		
Input pin capacitance		CIN	Ta = 25°C f = 1 MHz	—	5.0	8.0	pF	All input pins	
Oscillation frequency		fOSC	Rr = 1.0 M Ω \pm 2% VSS = -5.0V	15	18	21	kHz	*9	
			Rr = 1.0 M Ω \pm 2% VSS = -3.0V	11	16	21			
Reset time		tR		1.0	—	1000	μ s	RES	

Notes:

- *1. Operation over a wide range of voltages is guaranteed, except where a sudden voltage change occurs during access.
- *2. Pins A0, D0 – D7, E (\overline{RD}), $\overline{R/W}$ (\overline{WR}) and \overline{CS}
- *3. Pins CL, FR, M/S and \overline{RES}
- *4. Pins D0 – D7
- *5. Pin FR
- *6. Pins A0, E (\overline{RD}), $\overline{R/W}$ (\overline{WR}), \overline{CS} , CL and \overline{RES}
- *7. Applicable when pins D0 – D7 and FR are at high impedance.
- *8. This value is current consumption when a vertical stripe pattern is written at t_{cy}c. Current consumption during access is nearly proportionate to access frequency (t_{cy}c). Only T_{DD} (1) is consumed while no access is made.
- *9. Relationship between the oscillation frequency, frame and Rr (see Figures 5.1 – 5.3).
- *10. Operating voltage ranges of VSS and V5 (see Figure 5.4).
- *11. Resistance with a voltage of 0.1V applied between the output pin (SEG, COM) and each power pin (V1, V2, V3, V4). It is specified within the operating voltage range.
- *12, 13, 14. Current consumed by each discrete IC, not including LCD panel and wiring capacitances.
- *12. Applicable to SED1520FAA and SED1521FAA
- *13. Applicable to SED1520FOA
- *14. Applicable to SED1521FOA

8. TIMING CHARACTERISTICS

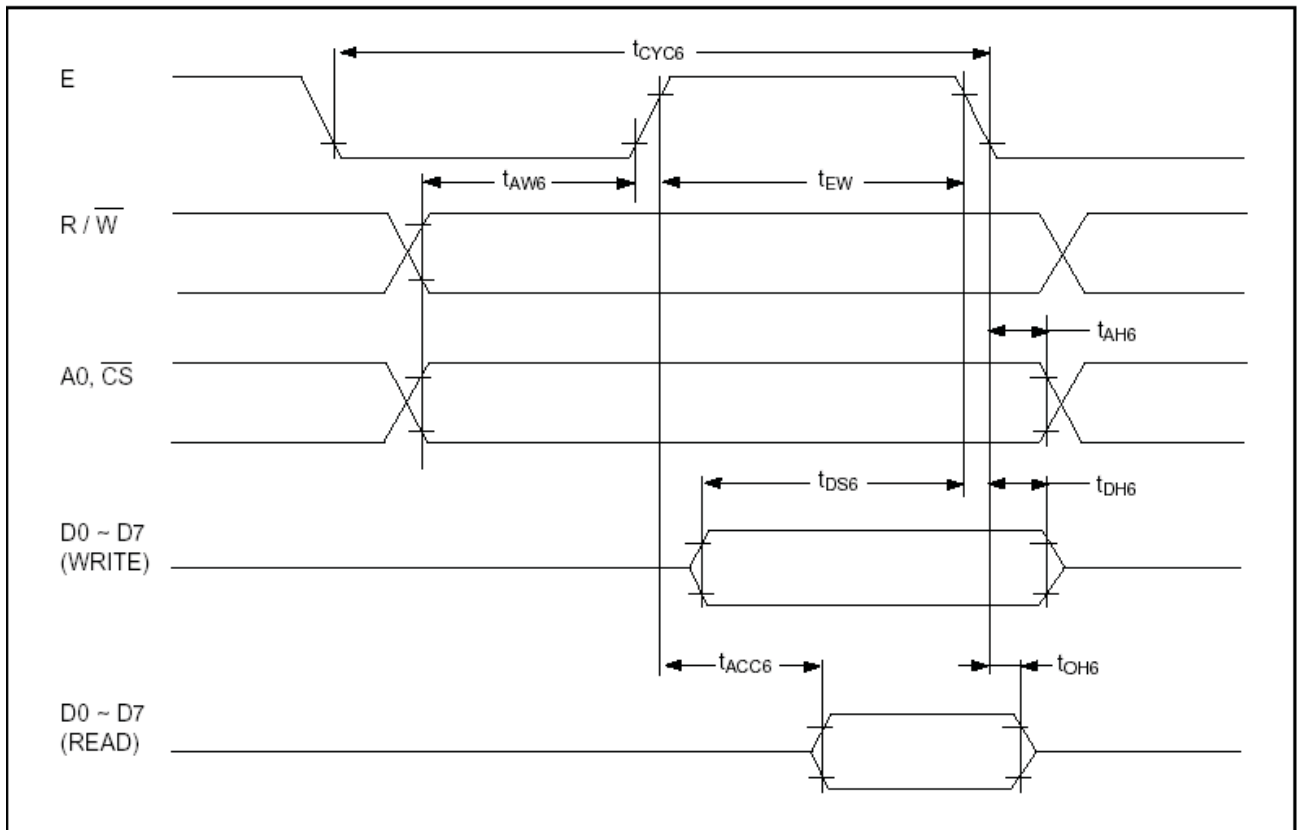
Ta = -210 to 75°C, VSS = -5.0V ±10%

Parameter	Symbol	Signal	Condition	Min	Typ	Max	Unit
System cycle time	tCYC6 *1	A0, \overline{CS}	CL = 100 pF	1000	—	—	ns
Address setup time	tAW6	R/ \overline{W}		20	—	—	ns
Address hold time	tAH6			10	—	—	ns
Data setup time	tDS6	D0 – D7		80	—	—	ns
Data hold time	tDH6			10	—	—	ns
Output disable time	tOH6			10	—	60	ns
Access time	tACC6			—	—	90	ns
Enable pulse width: Read	tEW	E	100	—	—	ns	
Enable pulse width: Write			80	—	—	ns	

*1 tCYC6 indicates the cycle time during which $\overline{CS} \cdot E = "H"$. It does not mean the cycle time of signal E.

*2 Each of the values where VSS = -3.0V is about 200% of that where VSS = -5.0V (i.e., the listed value).

*3 The rise or fall time of input signals should be less than 15 ns.



System bus read/write II (68-family MPU)

9. CONTROL AND DISPLAY INSTRUCTION

	Command	Code											Function	
		A0	\overline{RD}	\overline{WR}	D7	D6	D5	D4	D3	D2	D1	D0		
(1)	Display ON/OFF	0	1	0	1	0	1	0	1	1	1	0/1	Turns all display on or off, independently of display RAM data or internal status. 1: ON 0: OFF (Power-saving mode with static drive on)*	
(2)	Display Start Line	0	1	0	1	1	0	Display Start Address (0 – 31)				0/1	Specifies RAM line corresponding to uppermost line (COM0) of display.	
(3)	Set Page Address	0	1	0	1	0	1	1	1	0	Page (0–3)		Sets display RAM page in page address register.	
(4)	Set Column (Segment) Address	0	1	0	Column Address (0–79)								0/1	Sets display RAM column address in column address register.
(5)	Read Status	0	0	1	Busy	ADC	ON/OFF	RESET	0	0	0	0	Reads the following status: BUSY 1: Internal operation 0: Ready ADC 1: CW output (forward) 0: CCW output (reverse) ON/OFF 1: Display off 0: Display on RESET 1: Being reset 0: Normal	
(6)	Write Display Data	1	1	0	Write Data							0/1	Writes data from data bus into display RAM. Display RAM location whose address has been preset is accessed. After access, the column address is incremented by 1.	
(7)	Read Display Data	1	0	1	Read Data							0/1		
(8)	Select ADC	0	1	0	1	0	1	0	0	0	0	0/1	Used to invert relationship of assignment between display RAM column addresses and segment driver outputs. 0: CW output (forward) 1: CCW output (reverse)	
(9)	Static Drive ON/OFF	0	1	0	1	0	1	0	0	1	0	0/1	Selects normal display or static driving operation. 1: Static drive (power-saving mode) 0: Normal driving	
(10)	Select Duty	0	1	0	1	0	1	0	1	0	0	0/1	Selects LCD cell driving duty 1: 1/32 0: 1/16	
(11)	Read Modify Write	0	1	0	1	1	1	0	0	0	0	0	Increments column address counter by 1 when display data is written. (This is not done when data is read.)	
(12)	End	0	1	0	1	1	1	0	1	1	1	0	Clears read modify write mode.	
(13)	Reset	0	1	0	1	1	1	0	0	0	1	0	Sets display start line register on the first line. Also sets column address counter and page address counter to 0.	

* With display off (command (1)), static drive going on (9) invokes power-saving mode.

10. BACK LIGHT CHARACTERISTICS

LCD Module with bottom Backlight
ELECTRICAL RATINGS

Ta = 25°C

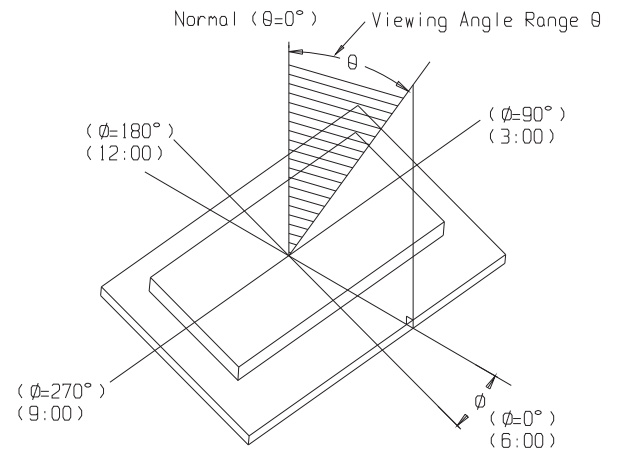
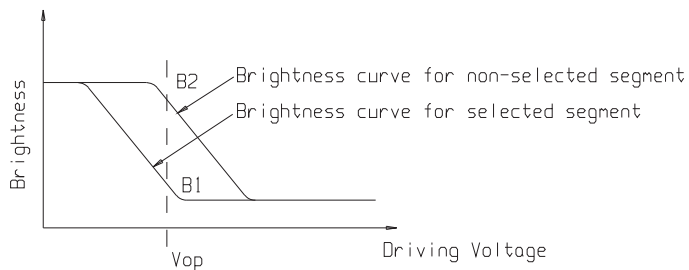
Item	Symbol	Condition	Min	Typ	Max	Unit
Forward Voltage	VF	IF=100mA	4.0	4.2	4.4	V
Reverse Current	IR	VR=10V	---	---	100	uA
Luminous Intensity (With LCD dots off)	Lv	IF=100mA	--	---	---	Cd/m ²
Wave length	λρ	IF=100mA	568	570	575	nm
Color	Yellow-green					

11. ELECTRO-OPTICAL CHARACTERISTICS

(V_{OP} =4.5V, Ta = 25°C)

Item	Symbol	Condition	Min	Typ	Max	Unit
Operating Voltage	Vop	Ta = -20°C	4.8	5.1	5.4	V
		Ta = 25°C	4.2	4.5	4.8	
		Ta = 70°C	3.5	3.8	4.1	
Response time	Tr	Ta = 25°C	---	185	---	ms
	Tf		---	200	---	ms
Contrast	Cr	Ta = 25°C	---	4	---	---
Viewing angle range	θ	Cr ≥ 2	-40	---	+40	deg
	Φ		-40	---	+40	deg

$$Cr = \frac{\text{Brightness of non-selected segment}(B2)}{\text{Brightness of selected segment}(B1)}$$

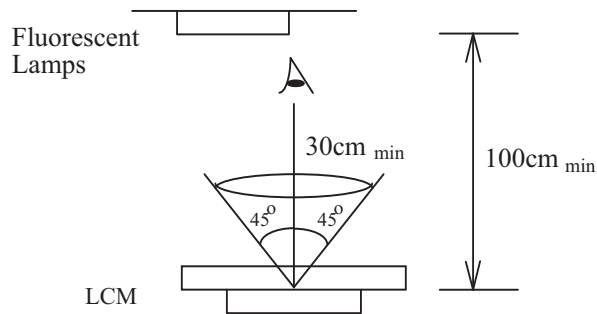


12.QUALITY SPECIFICATIONS

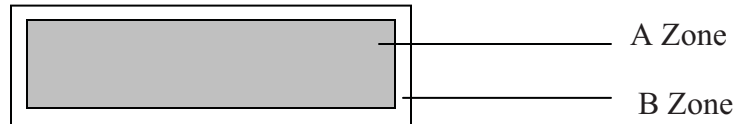
12.1 Standard of the product appearance test

Manner of appearance test: The inspection should be performed in using 20W x 2 fluorescent lamps. Distance between LCM and fluorescent lamps should be 100 cm or more. Distance between LCM and inspector eyes should be 30 cm or more.

Viewing direction for inspection is 45° from vertical against LCM.



Definition of zone:



A Zone: Active display area (minimum viewing area).

B Zone: Non-active display area (outside viewing area).

12.2 Specification of quality assurance

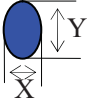
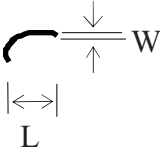
AQL inspection standard

Sampling method: MIL-STD-105E, Level II, single sampling

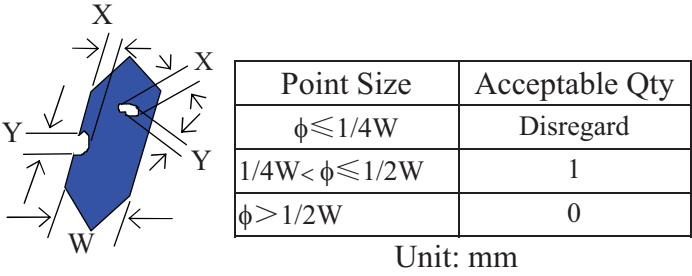
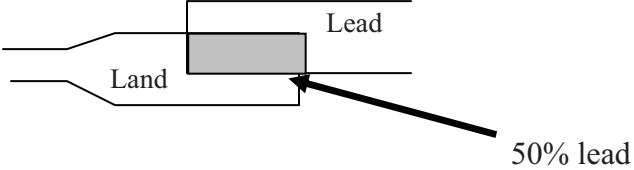
Defect classification (Note: * is not including)

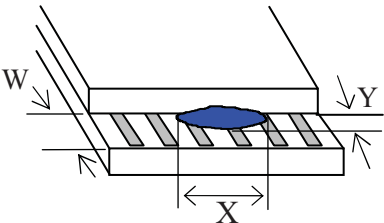
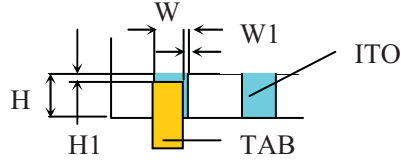
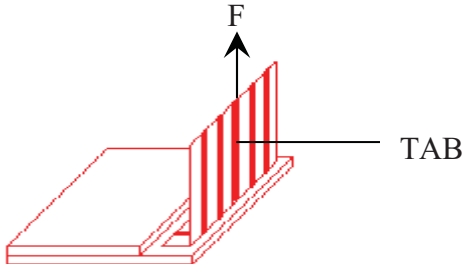
Classify	Item		Note	AQL
Major	Display state	Short or open circuit	1	0.65
		LC leakage		
		Flickering		
		No display		
		Wrong viewing direction		
		Contrast defect (dim, ghost)	2	
	Back-light	1,8		
	Non-display	Flat cable or pin reverse	10	
Wrong or missing component		11		
Minor	Display state	Background color deviation	2	1.0
		Black spot and dust	3	
		Line defect, Scratch	4	
		Rainbow	5	
		Chip	6	
		Pin hole	7	
	Polarizer	Protruded	12	
		Bubble and foreign material	3	
	Soldering	Poor connection	9	
	Wire	Poor connection	10	
	TAB	Position, Bonding strength	13	

Note on defect classification

No.	Item	Criterion																				
1	Short or open circuit	Not allow																				
	LC leakage																					
	Flickering																					
	No display																					
	Wrong viewing direction																					
	Wrong Back-light																					
2	Contrast defect	Refer to approval sample																				
	Background color deviation																					
3	Point defect, Black spot, dust (including Polarizer) $\phi = (X+Y)/2$	 <table border="1" data-bbox="933 936 1365 1234"> <thead> <tr> <th>Point Size</th> <th>Acceptable Qty.</th> </tr> </thead> <tbody> <tr> <td>$\phi \leq 0.10$</td> <td>Disregard</td> </tr> <tr> <td>$0.10 < \phi \leq 0.20$</td> <td>3</td> </tr> <tr> <td>$0.20 < \phi \leq 0.25$</td> <td>2</td> </tr> <tr> <td>$0.25 < \phi \leq 0.30$</td> <td>1</td> </tr> <tr> <td>$\phi > 0.30$</td> <td>0</td> </tr> </tbody> </table> <p>Unit: mm</p>	Point Size	Acceptable Qty.	$\phi \leq 0.10$	Disregard	$0.10 < \phi \leq 0.20$	3	$0.20 < \phi \leq 0.25$	2	$0.25 < \phi \leq 0.30$	1	$\phi > 0.30$	0								
Point Size	Acceptable Qty.																					
$\phi \leq 0.10$	Disregard																					
$0.10 < \phi \leq 0.20$	3																					
$0.20 < \phi \leq 0.25$	2																					
$0.25 < \phi \leq 0.30$	1																					
$\phi > 0.30$	0																					
4	Line defect, Scratch	 <table border="1" data-bbox="862 1409 1406 1665"> <thead> <tr> <th colspan="2">Line</th> <th>Acceptable Qty.</th> </tr> <tr> <th>L</th> <th>W</th> <th></th> </tr> </thead> <tbody> <tr> <td>---</td> <td>$0.015 \geq W$</td> <td>Disregard</td> </tr> <tr> <td>$3.0 \geq L$</td> <td>$0.03 \geq W$</td> <td rowspan="2">2</td> </tr> <tr> <td>$2.0 \geq L$</td> <td>$0.05 \geq W$</td> </tr> <tr> <td>$1.0 \geq L$</td> <td>$0.1 > W$</td> <td>1</td> </tr> <tr> <td>---</td> <td>$0.05 < W$</td> <td>Applied as point defect</td> </tr> </tbody> </table> <p>Unit: mm</p>	Line		Acceptable Qty.	L	W		---	$0.015 \geq W$	Disregard	$3.0 \geq L$	$0.03 \geq W$	2	$2.0 \geq L$	$0.05 \geq W$	$1.0 \geq L$	$0.1 > W$	1	---	$0.05 < W$	Applied as point defect
Line		Acceptable Qty.																				
L	W																					
---	$0.015 \geq W$	Disregard																				
$3.0 \geq L$	$0.03 \geq W$	2																				
$2.0 \geq L$	$0.05 \geq W$																					
$1.0 \geq L$	$0.1 > W$	1																				
---	$0.05 < W$	Applied as point defect																				
5	Rainbow	Not more than two color changes across the viewing area.																				

No	Item	Criterion																																	
6	<p data-bbox="289 310 354 342">Chip</p> <p data-bbox="289 422 399 453">Remark:</p> <p data-bbox="345 457 477 520">X: Length direction</p> <p data-bbox="345 548 477 611">Y: Short direction</p> <p data-bbox="345 638 513 701">Z: Thickness direction</p> <p data-bbox="345 728 503 791">t: Glass thickness</p> <p data-bbox="345 819 513 882">W: Terminal Width</p>	<div data-bbox="609 352 982 535"> </div> <p data-bbox="1003 352 1268 384">Acceptable criterion</p> <table border="1" data-bbox="1003 390 1386 468"> <thead> <tr> <th>X</th> <th>Y</th> <th>Z</th> </tr> </thead> <tbody> <tr> <td>≤ 2</td> <td>0.5mm</td> <td>$\leq t/2$</td> </tr> </tbody> </table> <div data-bbox="592 674 950 856"> </div> <p data-bbox="992 659 1256 690">Acceptable criterion</p> <table border="1" data-bbox="992 697 1391 774"> <thead> <tr> <th>X</th> <th>Y</th> <th>Z</th> </tr> </thead> <tbody> <tr> <td>≤ 2</td> <td>0.5mm</td> <td>$\leq t$</td> </tr> </tbody> </table> <div data-bbox="597 936 938 1167"> </div> <p data-bbox="1003 951 1273 982">Acceptable criterion</p> <table border="1" data-bbox="1003 989 1391 1100"> <thead> <tr> <th>X</th> <th>Y</th> <th>Z</th> </tr> </thead> <tbody> <tr> <td>≤ 3</td> <td>≤ 2</td> <td>$\leq t$</td> </tr> <tr> <td colspan="2">shall not reach to ITO</td> <td></td> </tr> </tbody> </table> <div data-bbox="592 1293 987 1476"> </div> <p data-bbox="992 1329 1256 1360">Acceptable criterion</p> <table border="1" data-bbox="992 1367 1391 1444"> <thead> <tr> <th>X</th> <th>Y</th> <th>Z</th> </tr> </thead> <tbody> <tr> <td>Disregard</td> <td>≤ 0.2</td> <td>$\leq t$</td> </tr> </tbody> </table> <div data-bbox="592 1602 950 1785"> </div> <p data-bbox="992 1617 1256 1648">Acceptable criterion</p> <table border="1" data-bbox="992 1654 1359 1732"> <thead> <tr> <th>X</th> <th>Y</th> <th>Z</th> </tr> </thead> <tbody> <tr> <td>≤ 5</td> <td>≤ 2</td> <td>$\leq t/3$</td> </tr> </tbody> </table>	X	Y	Z	≤ 2	0.5mm	$\leq t/2$	X	Y	Z	≤ 2	0.5mm	$\leq t$	X	Y	Z	≤ 3	≤ 2	$\leq t$	shall not reach to ITO			X	Y	Z	Disregard	≤ 0.2	$\leq t$	X	Y	Z	≤ 5	≤ 2	$\leq t/3$
X	Y	Z																																	
≤ 2	0.5mm	$\leq t/2$																																	
X	Y	Z																																	
≤ 2	0.5mm	$\leq t$																																	
X	Y	Z																																	
≤ 3	≤ 2	$\leq t$																																	
shall not reach to ITO																																			
X	Y	Z																																	
Disregard	≤ 0.2	$\leq t$																																	
X	Y	Z																																	
≤ 5	≤ 2	$\leq t/3$																																	

No.	Item	Criterion								
7	Segment pattern $W = \text{Segment width}$ $\phi = (X+Y)/2$	(1) Pin hole $\phi < 0.10\text{mm}$ is acceptable.  <table border="1" data-bbox="927 516 1382 690"> <thead> <tr> <th>Point Size</th> <th>Acceptable Qty</th> </tr> </thead> <tbody> <tr> <td>$\phi \leq 1/4W$</td> <td>Disregard</td> </tr> <tr> <td>$1/4W < \phi \leq 1/2W$</td> <td>1</td> </tr> <tr> <td>$\phi > 1/2W$</td> <td>0</td> </tr> </tbody> </table> Unit: mm	Point Size	Acceptable Qty	$\phi \leq 1/4W$	Disregard	$1/4W < \phi \leq 1/2W$	1	$\phi > 1/2W$	0
Point Size	Acceptable Qty									
$\phi \leq 1/4W$	Disregard									
$1/4W < \phi \leq 1/2W$	1									
$\phi > 1/2W$	0									
8	Back-light	(1) The color of backlight should correspond its specification. (2) Not allow flickering								
9	Soldering	(1) Not allow heavy dirty and solder ball on PCB. (The size of dirty refer to point and dust defect) (2) Over 50% of lead should be soldered on Land. 								
10	Wire	(1) Copper wire should not be rusted (2) Not allow crack on copper wire connection. (3) Not allow reversing the position of the flat cable. (4) Not allow exposed copper wire inside the flat cable.								
11*	PCB	(1) Not allow screw rust or damage. (2) Not allow missing or wrong putting of component.								

No	Item	Criterion
12	Protruded W: Terminal Width	 <p>Acceptable criteria: $Y \leq 0.4$</p>
13	TAB	<p>1. Position</p>  <div style="border: 1px solid black; padding: 5px; width: fit-content; margin-left: auto; margin-right: auto;"> $W1 \leq 1/3W$ $H1 \leq 1/3H$ </div> <p>2 TAB bonding strength test</p>  <p> $P (=F/TAB \text{ bonding width}) \geq 650\text{gf/cm}$,(speed rate: 1mm/min) 5pcs per SOA (shipment) </p>
14	Total no. of acceptable Defect	<p>A. Zone</p> <p>Maximum 2 minor non-conformities per one unit. Defect distance: each point to be separated over 10mm</p> <p>B. Zone</p> <p>It is acceptable when it is no trouble for quality and assembly in customer's end product.</p>

12.3 Reliability of LCM

Reliability test condition:

Item	Condition	Time (hrs)	Assessment
High temp. Storage	80°C	48	No abnormalities in functions and appearance
High temp. Operating	70°C	48	
Low temp. Storage	-30°C	48	
Low temp. Operating	-20°C	48	
Humidity	40°C/ 90%RH	48	
Temp. Cycle	0°C ← 25°C → 50°C (30 min ← 5 min → 30min)	10cycles	

Recovery time should be 24 hours minimum. Moreover, functions, performance and appearance shall be free from remarkable deterioration within 50,000 hours under ordinary operating and storage conditions room temperature ($20\pm 8^{\circ}\text{C}$), normal humidity (below 65% RH), and in the area not exposed to direct sun light.

12.4 Precaution for using LCD/LCM

LCD/LCM is assembled and adjusted with a high degree of precision. Do not attempt to make any alteration or modification. The followings should be noted.

General Precautions:

1. LCD panel is made of glass. Avoid excessive mechanical shock or applying strong pressure onto the surface of display area.
2. The polarizer used on the display surface is easily scratched and damaged. Extreme care should be taken when handling. To clean dust or dirt off the display surface, wipe gently with cotton, or other soft material soaked with isopropyl alcohol, ethyl alcohol or trichlorotrifluoroethane, do not use water, ketone or aromatics and never scrub hard.
3. Do not tamper in any way with the tabs on the metal frame.
4. Do not make any modification on the PCB without consulting Orient Display.
5. When mounting a LCM, make sure that the PCB is not under any stress such as bending or twisting. Elastomer contacts are very delicate and missing pixels could result from slight dislocation of any of the elements.

6. Avoid pressing on the metal bezel, otherwise the elastomer connector could be deformed and lose contact, resulting in missing pixels and also cause rainbow on the display.
7. Be careful not to touch or swallow liquid crystal that might leak from a damaged cell. Any liquid crystal adheres to skin or clothes, wash it off immediately with soap and water.

Static Electricity Precautions:

1. CMOS-LSI is used for the module circuit; therefore operators should be grounded whenever he/she comes into contact with the module.
2. Do not touch any of the conductive parts such as the LSI pads; the copper leads on the PCB and the interface terminals with any parts of the human body.
3. Do not touch the connection terminals of the display with bare hand; it will cause disconnection or defective insulation of terminals.
4. The modules should be kept in anti-static bags or other containers resistant to static for storage.
5. Only properly grounded soldering irons should be used.
6. If an electric screwdriver is used, it should be grounded and shielded to prevent sparks.
7. The normal static prevention measures should be observed for work clothes and working benches.
8. Since dry air is inductive to static, a relative humidity of 50-60% is recommended.

Soldering Precautions:

1. Soldering should be performed only on the I/O terminals.
2. Use soldering irons with proper grounding and no leakage.
3. Soldering temperature: $280^{\circ}\text{C}\pm 10^{\circ}\text{C}$
4. Soldering time: 3 to 4 second.
5. Use eutectic solder with resin flux filling.
6. If flux is used, the LCD surface should be protected to avoid spattering flux.
7. Flux residue should be removed.

Operation Precautions:

1. The viewing angle can be adjusted by varying the LCD driving voltage V_o .
2. Since applied DC voltage causes electro-chemical reactions, which deteriorate the display, the applied pulse waveform should be a symmetric waveform such that no DC component remains. Be sure to use the specified operating voltage.
3. Driving voltage should be kept within specified range; excess voltage will shorten display life.
4. Response time increases with decrease in temperature.
5. Display color may be affected at temperatures above its operational range.
6. Keep the temperature within the specified range usage and storage. Excessive temperature and humidity could cause polarization degradation, polarizer peel-off or generate bubbles.
7. For long-term storage over 40°C is required, the relative humidity should be kept below 60%, and avoid direct sunlight.

Limited Warranty

Orient Display LCDs and modules are not consumer products, but may be incorporated by Orient Display's customers into consumer products or components thereof, Orient Display does not warrant that its LCDs and components are fit for any such particular purpose.

1. The liability of Orient Display is limited to repair or replacement on the terms set forth below. Orient Display will not be responsible for any subsequent or consequential events or injury or damage to any personnel or user including third party personnel and/or user. Unless otherwise agreed in writing between Orient Display and the customer, Orient Display will only replace or repair any of its LCD which is found defective electrically or visually when inspected in accordance with Orient Display general LCD inspection standard .(Copies available on request)
2. No warranty can be granted if any of the precautions state in handling liquid crystal display above has been disregarded. Broken glass, scratches on polarizer mechanical damages as well as defects that are caused accelerated environment tests are excluded from warranty.
3. In returning the LCD/LCM, they must be properly packaged; there should be detailed description of the failures or defect.