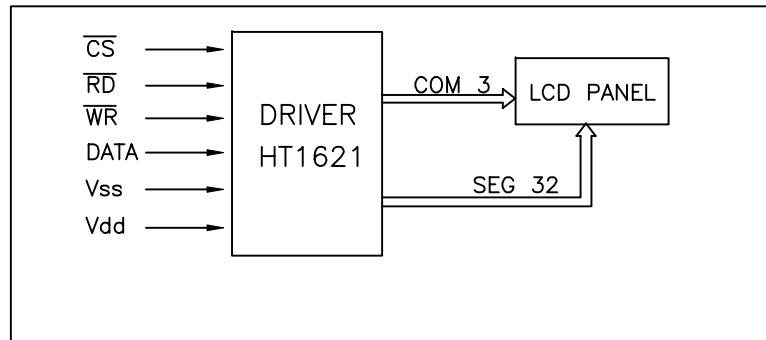


- * LCD PANEL TN
- * View Angle 6H/12H
- * Backlight NO BACKLIGHT



PIN ASSIGNMENT		
PIN	SYMBOL	FUNCTION
1	CS	Chip Selection
2	RD	Data Read Control
3	WR	Data Write Control
4	DATA	Data Interface
5	Vss	Power Supply(GND)
6	Vdd	Power Supply
7	IRQ	WDT Overflow Flag
8	BZ	TONE FRENQUENCY OUTPUT

ABSOLUTE MAXIMUM RATINGS				
ITEM	SYMBOL	MIN.	MAX.	UNIT
Power Supply	Vdd	-0.3	5.5	V
Input Voltage	Vi	Vss-0.3	Vdd+0.3	V
Operating Temperature	Topr	-10	70	°C
Storage Temperature	Tstg	-20	80	°C

ELECTRICAL CHARACTERISTICS(Ta=25°C, Vdd=5V+0.25V)					
ITEM	SYMBOL	MIN.	TYP.	MAX.	UNIT
Power Supply	Vdd	4.8	5.0	5.2	V
LCD Drivint Voltage	Vlcd	4.8	5.0	5.2	v
Supply Current	Idd	--	300	600	uA
Input Voltage "H"	Vih	4.0	--	5.0	V
Input Voltage "L"	Vil	0	--	1.0	V