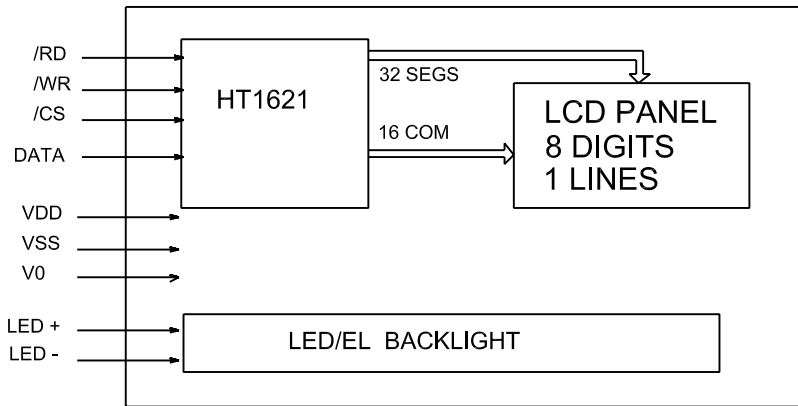
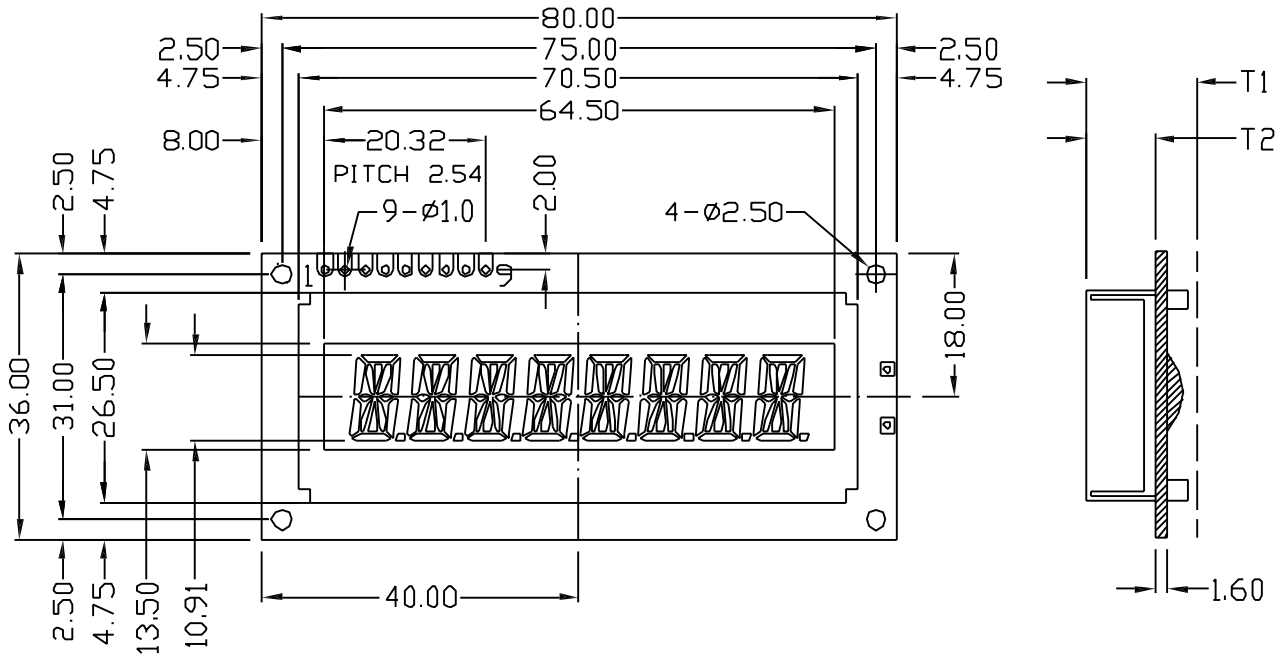
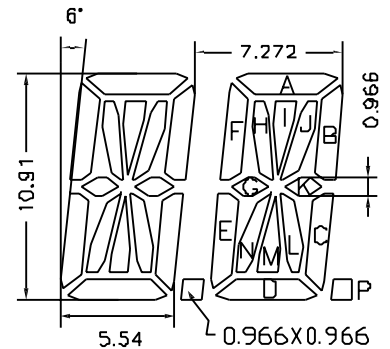


# OD-M802



\* FOR LED BACKLIGHT  
T1=14.0MAX T2=9.0±0.3  
\* FOR EL OR NO BACKLIGHT  
T1=10.0MAX T2=5.0±0.3



ABSOLUTE MAXIMUM RATING				
ITEM	SYMBOL	MIN	MAX	UNIT
POWER SUPPLY(LOGIC)	VDD-VSS	-0.3	7.0	V
POWER SUPPLY(LCD DRV.)	VDD-V0	-0.3	13.5	V
INPUT VOLTAGE	Vi	-0.3	VDD	V

PINS ASSIGNMENT		
NO.	SYMBOL	DESCRIPTION
1	VSS	POWER SUPPLY
2	VDD	POWER SUPPLY
3	V0	OPERATING VOLTAGE FOR LCD
4	RS	DATA/INSTRUCTION SELECT
5	R/W	READ/WRITE CONTROL
6	E	ENABLE SIGNAL
7-14	DB0-DB7	DATA BUS
15	LED +	POWER SUPPLY FOR LED BACKLIGHT (+)
16	LED -	POWER SUPPLY FOR LED BACKLIGHT (-)

ELECTRICAL CHARACTERISTICS(VDD=5.0±0.25V, 25C)					
ITEM	SYMBOL	MIN	TYP	MAX	UNIT
VOLTAGE FOR LOGIC	VDD-VSS	4.75	5.0	5.25	V
SUPPLY CURRENT	IDD	-	1.3	2.2	mA
VOLTAGE FOR LCD	VDD-V0	4.7	4.9	5.1	V
INPUT VOLTAGE	H ViH	2.2	-	VDD	V
	L ViL	-0.3	-	0.6	V
OUTPUT VOLTAGE	H VoH	2.4	-	-	V
	L VoL	-	-	0.4	V

MECHANICAL SPECIFICATIONS		
ITEM	SPECIFICATION	UNIT
OVERALL SIZE	80.0W x 36.0H x 14.0T(10.0T)	MM
VIEWING AREA	64.5W x 13.5H	MM
DIGITS	8 DIGITS x 1 LINES	
DIGIT SIZE	5.54W x 10.91H	MM
CHARACTER PITCH	7.272W x 10.91H	MM

OPTIONS	
1.	LCD TYPE: TN
2.	BACKLIGHT: WITHOUT BACKLIGHT; LED; EL
3.	COLOR OF BACKLIGHT: Y/G; BLUE; WHITE
4.	TEMPERATURE RANGE: NORMAL(0-50C) EXTENDED(-20-70C)
5.	POWER SUPPLY: 5.0V; 3.0V
6.	VIEWING ANGLE: 6H; 12H